

CU 30

USB-Controller for Piezo Electric Inertial Drives



CU 30 without sensor (for three axes)

Specifications

- Special design for piezo driven inertial motors
- works with USB-voltage (without sensor and closed loop for one axis) or an additional power supply (closed loop for three axes)
- applications without position sensor or closed loop
- operates up to 3 axes
- customized designs possible (interfaces or number of axes)

Technical Data

Power supply: USB-interface (without sensor and closed loop for one axis)
or
portable power supply
in: 100 – 240 V
out: 6 VDC with user-plug
(for closed loop up to three axes)

Operation: via USB-Interface 1.1 (without sensor)
via USB-Interface 2.0 (closed loop)

Connections:
without sensor 9pin Sub D-connector (female)
USB Type B socket
closed loop 2pin MMCX sockets (female)
9pin Sub D-connectors (female)
USB Type B socket

Speed modes: 0 to 255

Software for PC
- for DOS, Win 95, Win 2000, Win XP and Win NT:
executable software with action buttons
- for use with own programs:
Borland Pascal Unit (DOS)
DLL for Windows
DLL for LabView in preparation

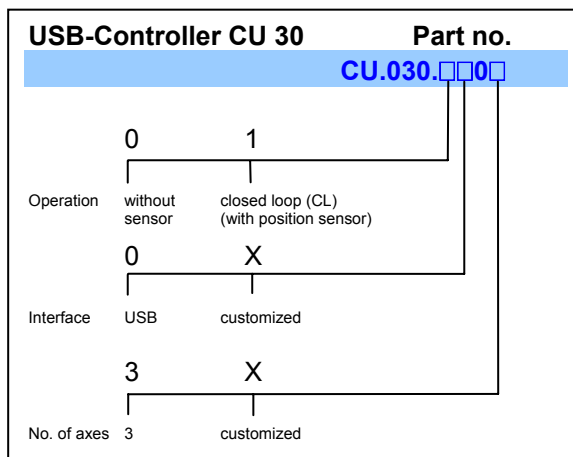
Mass: about 150 g (without sensor)
(also closed loop for 1 axis)
about 470 g (closed loop for 3 axes)

Dimensions:
without sensor 118 x 86 x 26 mm (L x W x H)
(also closed loop for 1 axis)
closed loop 124 x 170 x 55 mm (L x W x H)
(for 3 axes)

Delivery includes: USB connecting cable (CK.030.USB0)
power supply (for 3 axes closed loop)

Application Examples

- Micro-/Nano Technology
- Bio Technology
- Microscopy
- Quality Control
- Metrology
- R & D





CU 30 closed loop (for one axis)



CU 30 closed loop (for three axes)

CK 25/30

Connecting Cables for Piezo Electric Inertial Drives

Part-no.	Description	Connections	Length
CK.025.0002	connecting cable for 1 x MT 25 (standard)	9pin Sub D-connector (male) to 3pin inline plug	1 m
CK.025.0003	connecting cable for 1 x MK 25 or 1 x MX 25/35 (standard)	9pin Sub D-connector (male) to 4pin inline plug	1 m
CK.025.1002	connecting cable for 1 x MT 25 (open wire)	9pin Sub D-connector (male) to 3 open wires	1 m
CK.025.1003	connecting cable for 1 x MK 25 or 1 x MX 25/35 (open wire)	9pin Sub D-connector (male) to 4 open wires	1 m
CK.025.1092	vacuum connecting cable for 1 x MT 25 (open wire)	open wire to 3pin inline plug	1 m
CK.025.1093	vacuum connecting cable for 1 x MK 25 or 1 x MX 25/35 (open wire)	open wire to 4pin inline plug	1 m
CK.030.0001	connecting cable for 1 x MS 30 (for closed loop controller CU 30 CL)	1 MMCX-plug to 1 MMCX-plug	1 m
CK.030.0003	connecting cable for up to 3 x MS 30 (standard)	9pin Sub D-connector (male) to 3 MMCX-plugs	1 m
CK.030.1003	connecting cable for up to 3 x MS 30 (open wire)	9pin Sub D-connector (male) to 3 open wires	1 m
CK.030.1091	vacuum connecting cable for 1 x MS 30 (open wire)	open wire to 1 MMCX-plug (up to 10^{-9} mbar)	1 m
CK.030.USBU	RS 232 – USB Transformer (only applicable with CN 30)	9pin Sub D-connector (male) to USB A – plug	1 m
CK.030.USB0	USB connecting cable	USB A – to USB B connectors	1.8 m

For vacuum connections please ask with detailed technical specifications.